



PondJet with PondJet-Nozzle



Schaumsprudler 35-10 E

	Fresh Water	Pool Water	Sea Water	220-240 V	400 V	110-120 V	50 Hz	60 Hz	12 V AC	24 V DC	DMX	DMX/RDM	Plug and Spray
PondJet Eco 57704	✓	✓	✓	✓	✓	✓	✓	✓	✓	✓	✓	✓	✓
PondJet 54019	✓	✓	✓	✓	✓	✓	✓	✓	✓	✓	✓	✓	✓

## PONDJET / PONDJET ECO

Thanks to the PondJet floating fountain pump, decorative fountains can easily and quickly be achieved without any complex installation.

Neither the depth of the water, nor a pond base that is very dirty or difficult to access are of significance here. Perfect for use at short notice.

INNOVATION – MADE BY OASE

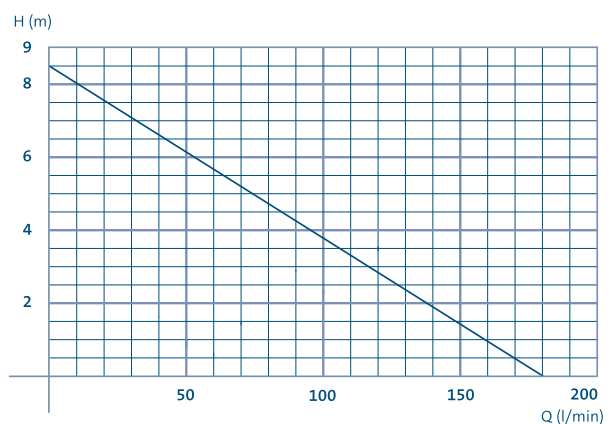


PondJet Eco

### Product characteristics at a glance

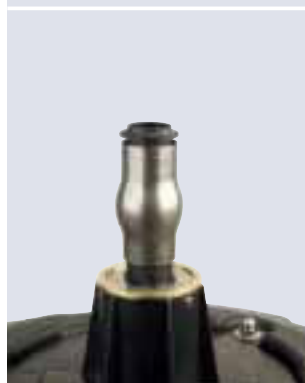
- Ready-to-connect complete aggregate, consisting of pump, float element, and PondJet-nozzle with 1"-thread
- Clearly structured fountain height and spray diameter of 3 metres
- Minimum water depth in clear water is 1 m; for a muddy pond floor the minimum depth is 1.5 m
- Lighting set and additional nozzle patterns are available as accessories

### Pump performance curve




**PondJet-nozzle**

with 1" thread, cover plate and plug. The 1" thread allows 25 mm / 1" fountain attachments to be attached on the multifunction nozzle of the PondJet.


**1"-thread with nozzle**

Here, as an example with a mounted Schaumsprudler 35-10E.


**Dynamic function**

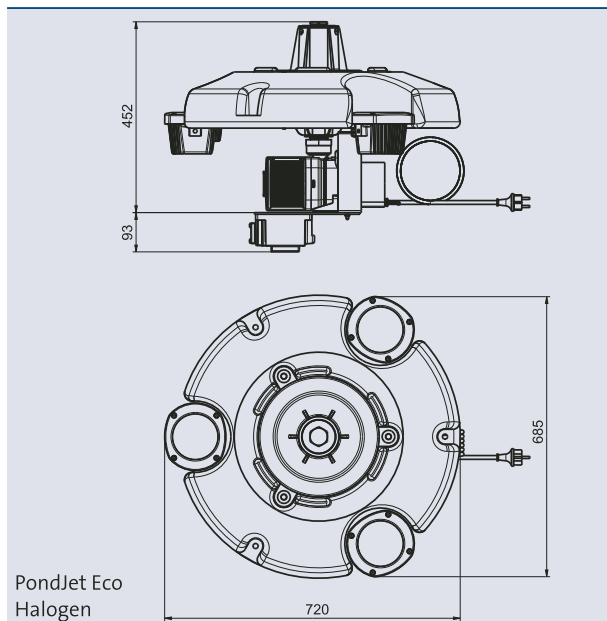
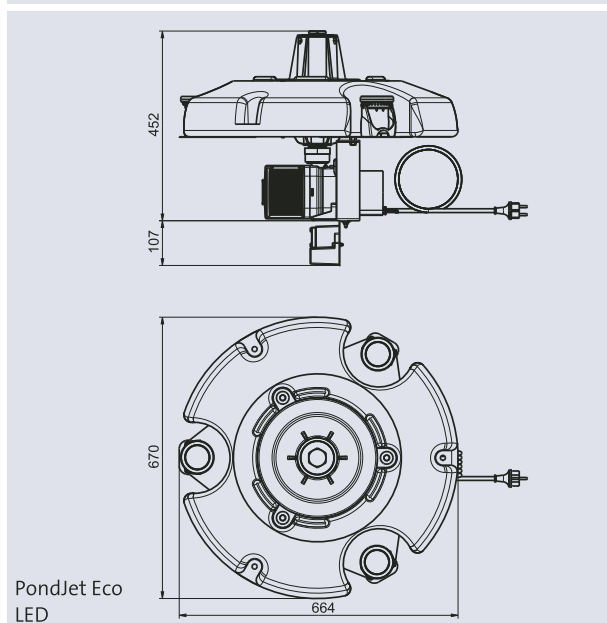
The dynamic function can be activated by a switch. Thus attractive water patterns with different fountain heights are produced. This function enables an average reduction in power consumption of 105 W.



**Connection possibility** for the underwater transformer of the lighting set available as an accessory.


**Accessories: Illumination set and fountain attachments**

The optional LunAqua 10 spotlight set wonderfully illuminates water patterns. Additional fountain attachments are available.


 PondJet Eco  
Halogen

 PondJet Eco  
LED

Accessories (must be ordered separately)	Order no.
Schaumsprudler 35-10 E (see page 64)	<b>50986</b>
Vulcan 43-3 Silver (see page 59)	<b>50766</b>
Illumination Set PondJet (see page 86)	<b>57083</b>
LED-floating fountain illumination white (see page 86)	<b>42637</b>

Accessories (must be ordered separately)	Order no.
Schaumsprudler 35-10 E (see page 64)	<b>50986</b>
Vulcan 43-3 Silver (see page 59)	<b>50766</b>
Illumination Set PondJet (see page 86)	<b>51071</b>

PondJet Eco		
Dimensions (Ø x H)	[mm]	670 x 540
Rated voltage	[V/Hz]	220 - 240 / 50 / 60
Power consumption	[W]	190
Flow rate max.	[l/min.]	180
Flow rate max.	[l/h]	10800
Head height max.	[m]	8.5
Pressure-side connection	[inch]	1
Spray height	[m]	3.0
Filter surface area	[cm <sup>2</sup> ]	420
Cable length	[m]	20.0
Weight	[kg]	15.20
<b>Order no.</b>		<b>57704</b>

PondJet		
Dimensions (Ø x H)	[ft]	2.2 x 1.8
Operating voltage	[V/Hz]	110-120 / 60
Power consumption	[W/A]	260 / 2.2
Flow rate max.	[gpm]	40
Flow rate max.	[gph]	2400
Head height max.	[ft.]	28
Pressure-side connection	[in.]	1
Spray height max.	[ft.]	10
Spray width max.	[ft.]	10
Cable length	[ft.]	75
Weight	[lbs.]	16.8
<b>Order no.</b>		<b>54019</b>